



ESK10 / ESK15

Suspension
Hardware for EON
Speaker Systems

Application:

The ESK10 and ESK15 are hardware kits that permit the installation of JBL EON speaker systems in venues where overhead suspension of the system is required.

Description:

The ESK15 is a suspension kit that may be retrofitted to EON 15" models (except EON1500). It consists of two parts; the top bar and the pullback bar. These parts are drilled to accept forged shackles having a bolt diameter of 1/4".

The ESK10 is a suspension kit that is designed for use with EON 10" models. It consists of two brackets that are mounted at the upper corners of the speaker, a pullback bar, and the required spacers and screws.

Note that the required 1/4" forged shackles and other hardware are not included with the kits.

Caution:

Unsafe mounting or overhead suspension of any heavy load can result in serious injury and equipment damage. Suspension of speakers should be done by qualified persons following safe rigging practices in accordance with all applicable local safety and construction standards. Before selecting a mounting point, be certain that it is capable of supporting the weight of the speaker to be suspended.



Do not use any hardware, bracket or fastener if it is damaged. Replace any damaged or suspect parts with the proper type prior to installation or suspension. Periodically inspect all hardware, fittings and brackets for damage and replace/re-torque as required

Specifications:

	ESK10	ESK15
Compatibility	For use with JBL EON10, EON10P, EON10 G2	For use with JBL EON15, EON15P, EON15PAK, EONPowerSub, EON15 G2, EON Sub G2 <u>NOT</u> intended for use with the EON1500
Safety Factor	5:1	5:1
Kit Contents	<ul style="list-style-type: none"> • 2 x Top Brackets • 4 x Spacers • 4 x 10-32, 2 1/4" Screws • 4 x Lock Washers • 1 x Pullback Bar 	<ul style="list-style-type: none"> • 1 x Top Bracket • 1 x Pullback Bar • Uses existing enclosure screws for attachment
Torquing Specification	20 in./lbs. and 24 in./lbs. per instructions	20 in./lbs. and 24 in./lbs. per instructions



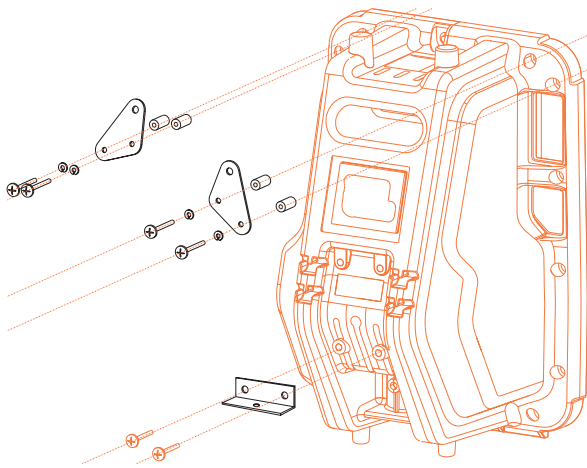
ESK10 / ESK15

Suspension
Hardware for EON
Speaker Systems

ESK10 Installation:

Remove the four screws from the upper corners of the EON10 speaker. Install the two top brackets and four spacers as illustrated using the supplied screws and lock washers. The screws should be tightened to approximately 20 inch/pounds.

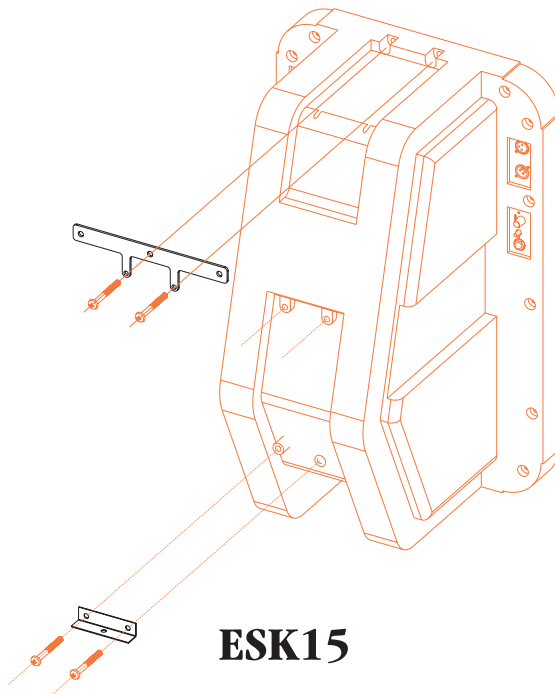
Remove the two screws from the lower center of the EON10 as illustrated. Install the pullback bar as illustrated using the previously removed screws. The screws should be tightened to approximately 24 inch/pounds. The speaker is now ready to be suspended. Be certain that the rigging has been designed and installed in accordance with safe rigging standards and accepted safety standards and all applicable codes and ordinances. The speaker may now be attached to the rigging using three forged shackles with a 1/4" diameter bolt (not included). Two of the shackles will be attached to the top bar. The third shackle will be attached to the pullback bar.



ESK10

ESK15 Installation:

Remove the two topmost center screws from the EON15 speaker. Install the top bar as illustrated using the previously removed screws. The screws should be tightened to approximately 20 inch/pounds. Remove the two screws from the lower center of the EON15 as illustrated. Install the pullback bar as illustrated using the previously removed screws. The screws should be tightened to approximately 20 inch/pounds. The speaker is now ready to be suspended. Be certain that the rigging has been designed and installed in accordance with safe rigging standards and accepted safety standards and all applicable codes and ordinances. The speaker may now be attached to the rigging using three forged shackles with a 1/4" diameter bolt (not included). Two of the shackles will be attached to the top brackets. The third shackle will be attached to the pullback bar.



ESK15

We are constantly improving our products so these specifications are subject to change without notice.

©Copyright 2000 JBL Professional

Part Number: SS ESK (980-00048-00 Rev.A)



JBL Professional
8500 Balboa Boulevard,
P.O. Box 2200
Northridge, California 91329
U.S.A.
www.jblpro.com

H A Harman International Company

CRP 10M
11/00